

Professional Beauty

Beautiful can also be competent. Passers-by think it's just an art monument, and yet, 3000 miles in other direction, the sisters of this WS-2B model operate day and night on an oil production platform, producing energy for signalling equipment.

Elegant sculpture or efficient professional tool—WS-2B is both. Made for professional use but found also by artists, architects and designers all over the world.

With the uncompromised quality it is made, Windside is a safe and workable solution both in mountain ranges thousands of metres above sea level and in densely populated urban areas.

**Guaranteed Reliability.
Quality Without Compromise.**



windside®

Windside® WS-2 – Multidisciplinary professional

You can easily run into a Windside WS-2 wind turbine anywhere, since its usage purposes are innumerable. Wherever you need energy and there is no grid connection available, Windside WS-2 will be at your service. More and more units are integrated into buildings, and at the same time they are functioning in e.g. telelink towers and oil production platforms.

Like the other Windside models, WS-2 has been built to last a lifetime. Only the highest grades of materials are used, and each individual will go through a careful finishing and inspection. Already the weight of the product is a proof of quality: materials and durability have not been compromised.

Besides safety, quality means also the ease of use. Totally soundless and efficient Windside turbines have been designed function as autonomous units with minimum need of service. Just install the turbine and leave it to work. The only maintenance needed is the lubrication of the bearings which can also be taken care of by an automatic lubrication system.

10 year limited warranty available.

The WS-2 model is available as WS-2B and WS-2AK models.

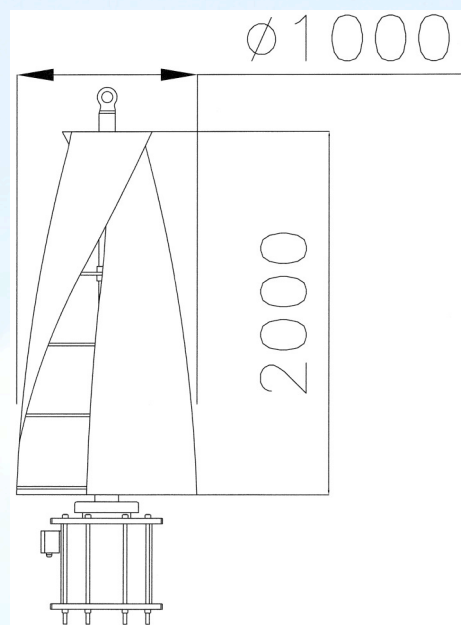
Windside is a member of IALA (International Association of Marine Aids to Navigation and Lighthouse Authorities)

Please, check our web site www.windside.com and contact your nearest distributor. More information can be obtained also from the manufacturer:

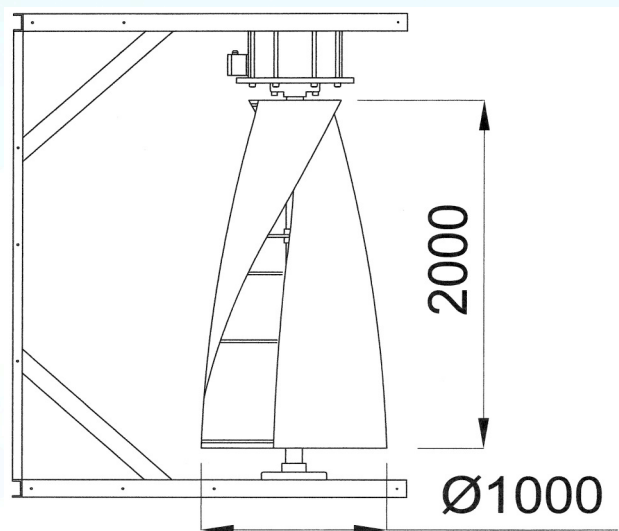
OY WINDSIDE PRODUCTION LTD

Keskitie 4, FIN-44500 Viitasaari

Tel. +358-208 350 700, fax +358-208-350 701



WS-2B



WS-2AK

