

WINDSIDE *WS-0,30A8-08 dimensions and technical info*

Windside WS-0,30A8-08 technical info:

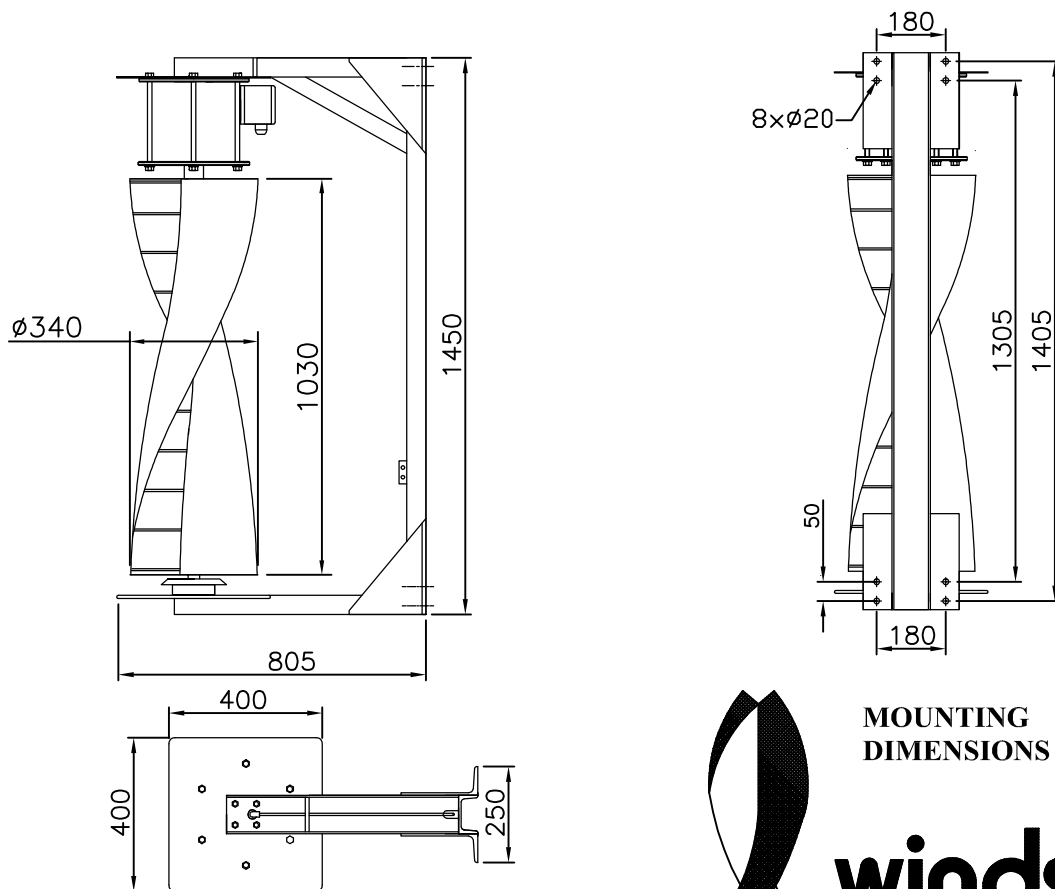
- Weight: 98 kg
- Swept area: 0,30 m²
- Generator: 9A in delta, 6A in star connection
- Voltage: 12V battery charging mode 15V
24V battery charging mode 30V
- Fastening of the turbine with 8 pc of M20-M16 bolts
- Wind load, side force to the middle point of the vane, Calculated 0,50 m down from the generator: 100 kg
- The weight of the base depends on the height of the mast - in other words on the length of the torque arm.
- WS-0,30A8-08-model Max 3000 rpm
- WS-0,30A8-08 Guaranteed at constant wind speed of 60 m/s

Materials:

- Vanes: fibre glass
- Fastenings: aluminium
- Shaft: Ø30 mm chrome coated steel or stainless steel
- Generator and Generator End Plates: hot dip galvanized steel or marine grade aluminium
- All bolts stainless steel (A4 or A2)

Assets of Windside wind turbines:

- No need to stop or secure during storms
- Produces max. amount of energy in storms
- No need to be turned to the wind direction
- Soundless; 0 dB, measured in 2 meters distance from the vane
- Stands snow, frost, heat and humidity
- Long lifespan
- Minimum need of maintenance, only lubrication
- Safe to people, animals and nature



**MOUNTING
DIMENSIONS**



windside

OY WINDSIDE PRODUCTION Ltd

E-mail and internet:
finland@windside.com
www.windside.com

Tel.: +358-208-350 700
Fax: +358-208-350 701
Mobile: +358-400-315 037

The Manufacturer reserves
all rights to all modifications
without further notice.